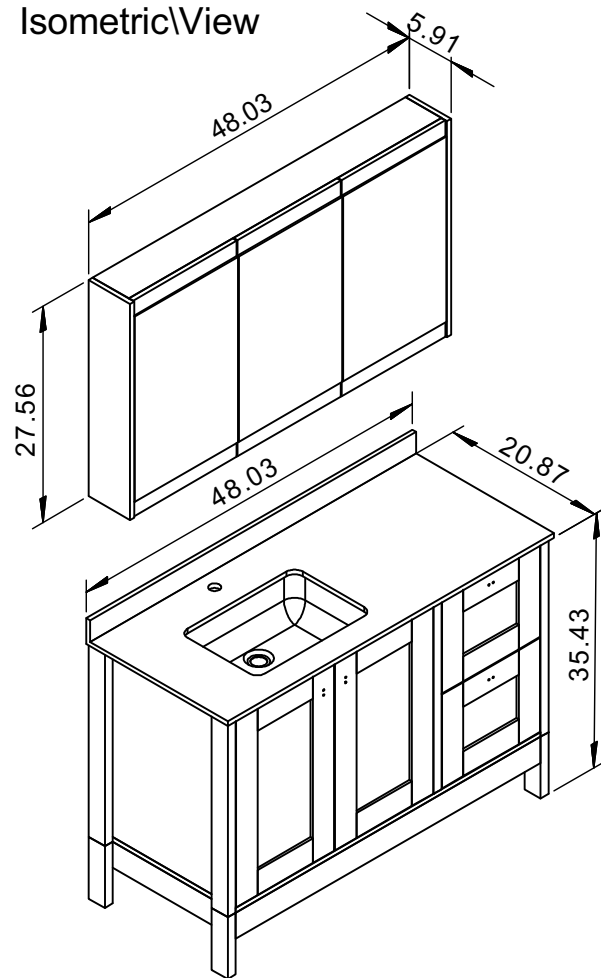


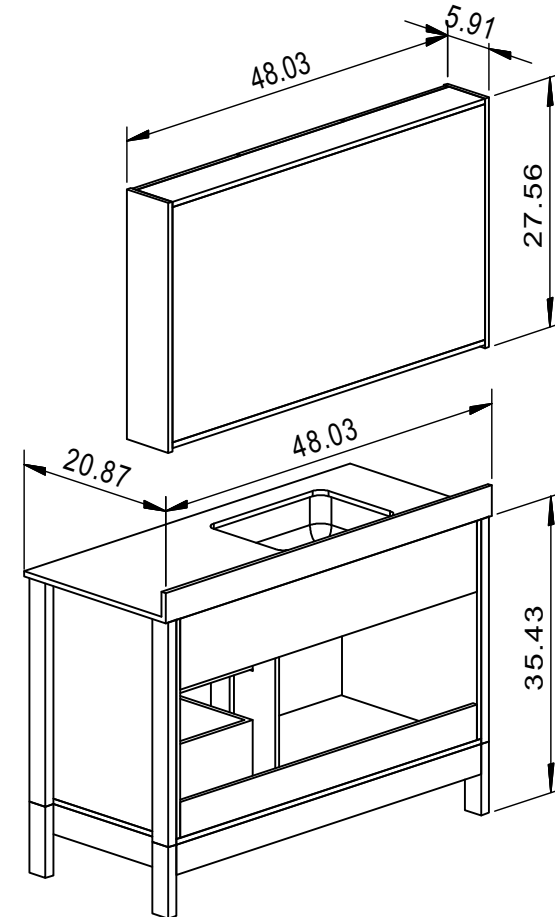
LAREDO-48"

Unit:\in

Isometric View



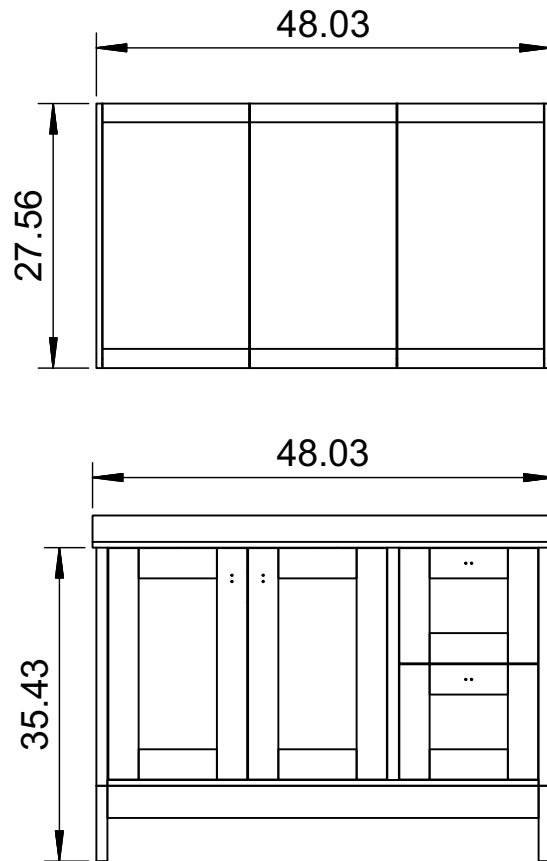
Back View



LAREDO-48"

Unit:\in

Front\View



Top\View\

